



MANTA BARRIER END STOP INSTALLATION GUIDE

Installing the Manta Barrier could not be faster or simpler. Simply line the barriers up and slot in the connecting pin to secure in place.

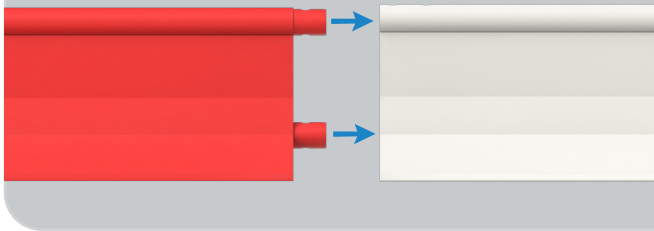
People to Install:



Equipment / Accessories Needed:

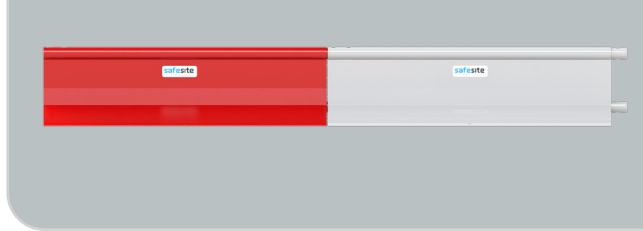
- Connection pin

1



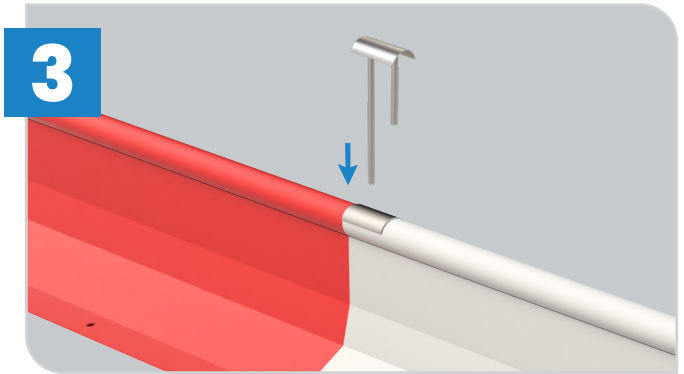
Place the barriers side by side, so that the holes align.

2



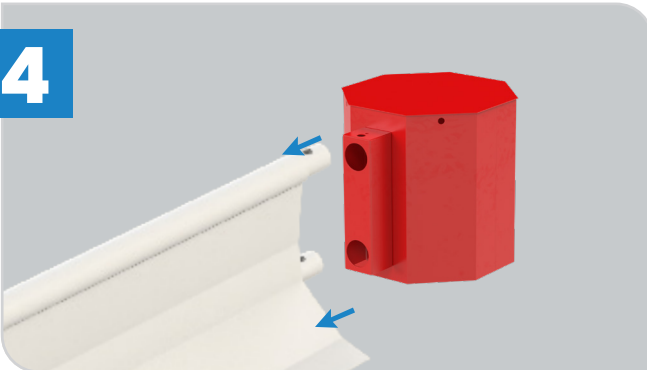
When connected the barriers form a snug bond without gaps.

3



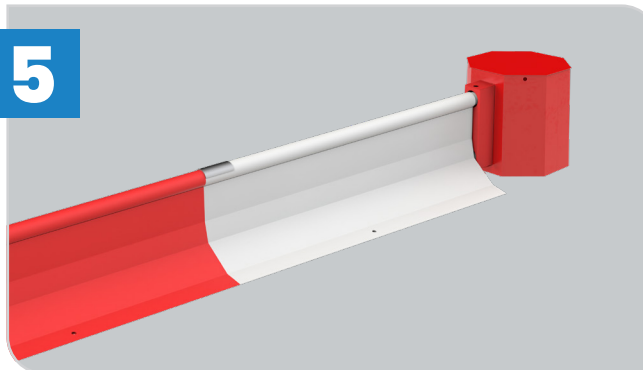
Once the barriers are in place, the connecting pin slots down through the top of the barrier to hold in place.

4



To finish the barriers in a line butt the end stop into the end of the barrier.

5



The ends top completes the run of barriers for a neat and tidy finish.





MANTA BARRIER PEDESTRIAN FENCE INSTALLATION GUIDE

Manta barriers will last for the full lifetime of your project, whether you're involved in street works, road or highway works, traffic management, construction sites, car parks or events.

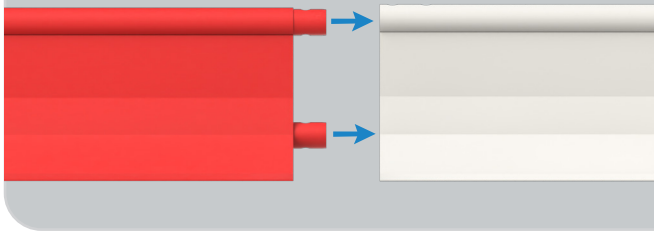
People to Install:



Equipment / Accessories Needed:

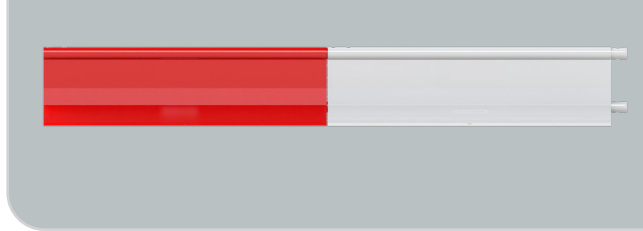
- Standard coupler

1



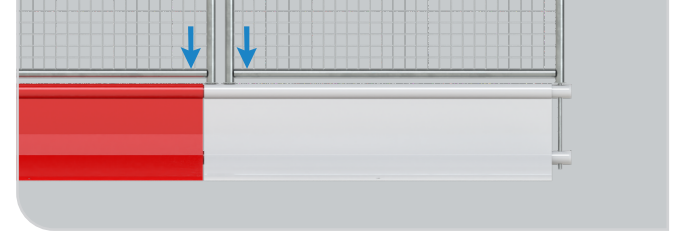
Place the barriers side by side, so that the holes align.

2



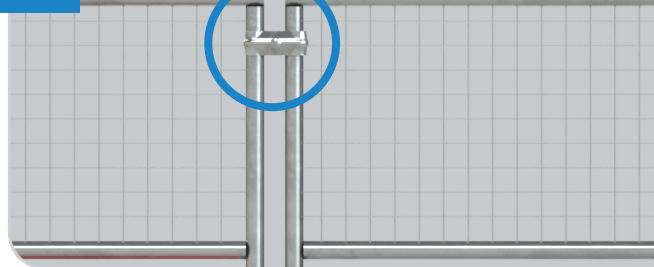
When connected the barriers form a snug bond without gaps.

3



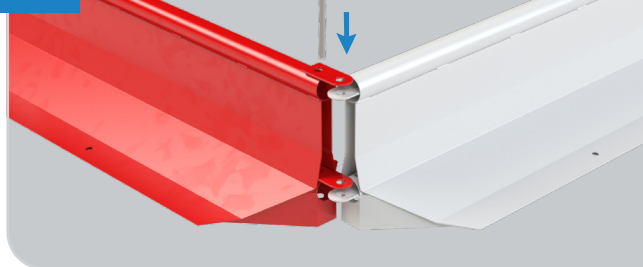
The pedestrian and vis rails/guards slot neatly into the top of the barriers and no additional pins are needed.

4



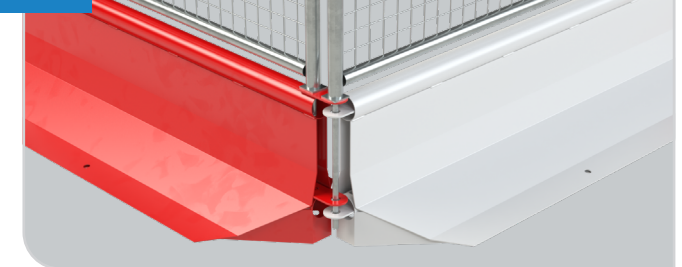
Secure the panels in place using a standard coupler.

5



Corner barriers can be attached to the standard barriers. Simply line up the ends and insert the connecting or fence panel leg.

6



The leg of the fence panel doubles-up as a support strut to hold the corner angles/barriers in place.





MANTA BARRIER FENCE & GATE INSTALLATION GUIDE

Installing the Manta Barrier could not be faster or simpler. Simply line the barriers up and slot in the connecting pin to secure in place.

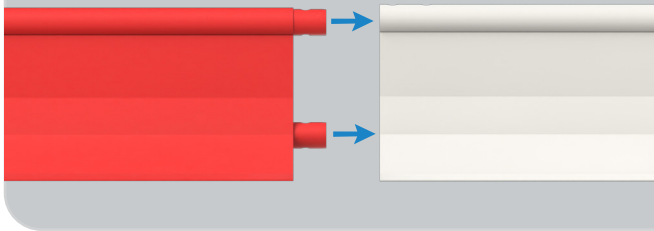
People to Install:



Equipment / Accessories Needed:

- 2x Standard Coupler
- Connection pin
- Pedestrian gate & gate hinge
- Manta adaption pole & slam bar

1



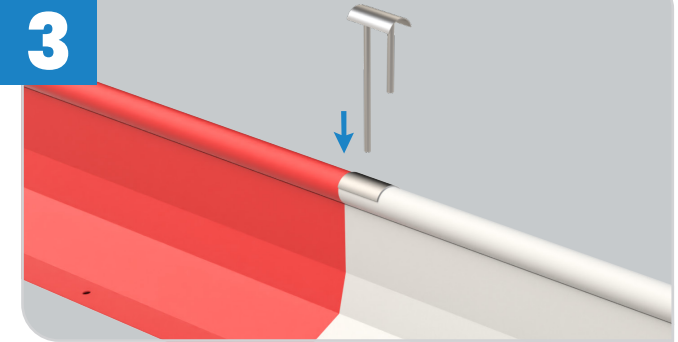
Place the barriers side by side, so that the holes align.

2



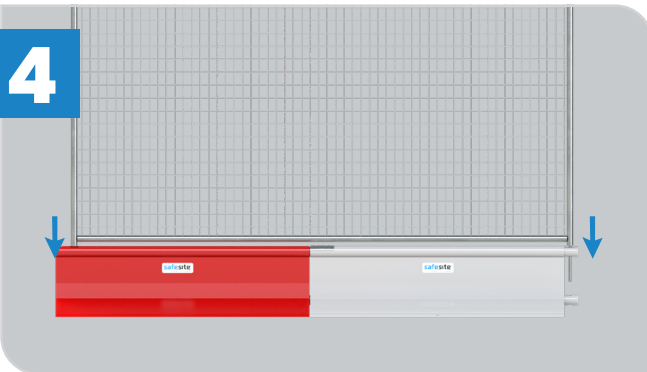
When connected the barriers form a snug bond without gaps.

3



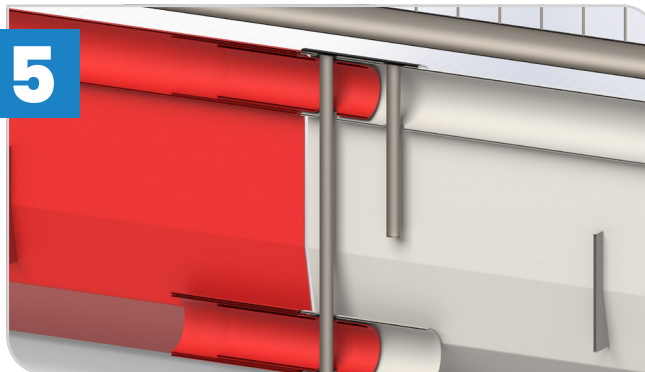
Once the barriers are in place, the connecting pin slots down through the top of the barrier to hold in place.

4



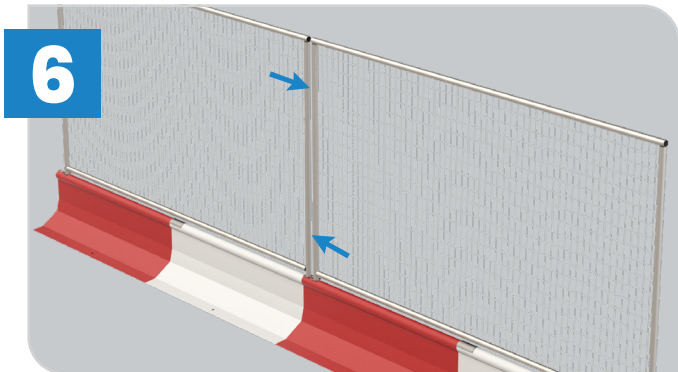
With the connecting pin in place, you can then slot the fence panel legs into place so that it straddles 2 consecutive barriers.

5



See above for a close up of how the barriers connect together when you add a fence panel.

6



2 Standard Couplers should be used to secure the Fence panels together.



Useful Tip: Remember to put the connecting pin in the barriers before adding the SiteGuard mesh fence panels.



Wear the appropriate PPE for this task



MANTA BARRIER FENCE & GATE INSTALLATION GUIDE

Manta barriers will last for the full lifetime of your project, whether you're involved in street works, road or highway works, traffic management, construction sites, car parks or events.

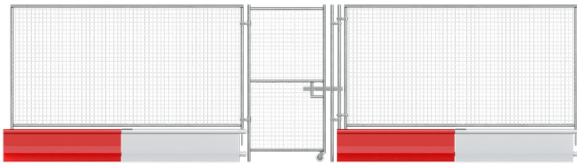
People to Install:



Equipment / Accessories Needed:

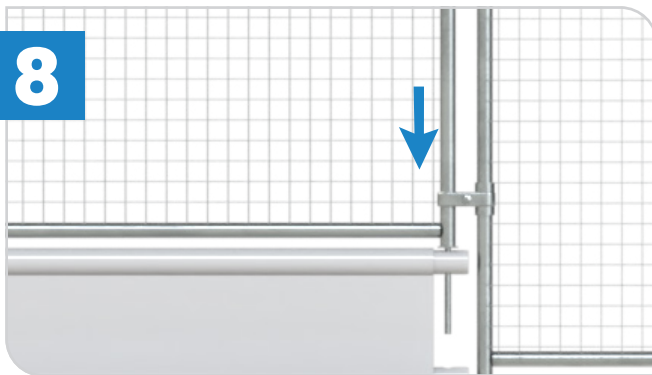
- Coupler
- Connection pin
- Pedestrian gate & gate hinge
- Manta adaption pole & slam bar

7



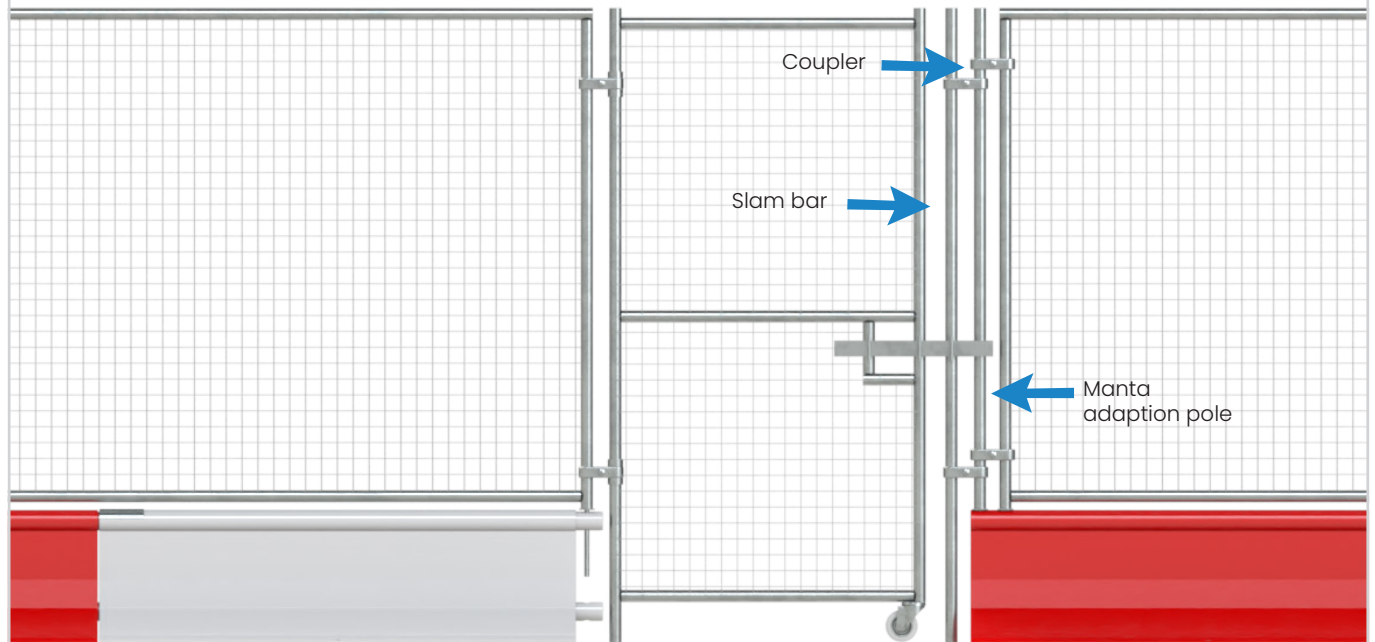
Gates can be easily added to the manta barrier system.

8



Slot the mesh fence panels into the top of the manta barriers.

9



A gate hinge connects a gate to the fence panel. The pedestrian gate is then hung from the fence panel using an adaption pole and slam bar.



Useful Tip: If you're unsure of the parts and accessories required - our friendly sales team will gladly help with everything you need.



Wear the appropriate PPE for this task.